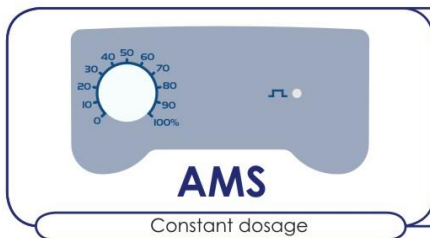


Solenoid dosing pump 703 series

703 is simple yet reliable series of micro-process or based analogue solenoid dosing pump

Specifications(703 model)			
Pressure(bar)	8	10	2
Flow rate(L/H)	5	3	9
CC/stroke	0.52	0.31	0.93
Connection(mm)	4/6		
Stroke/min	160		



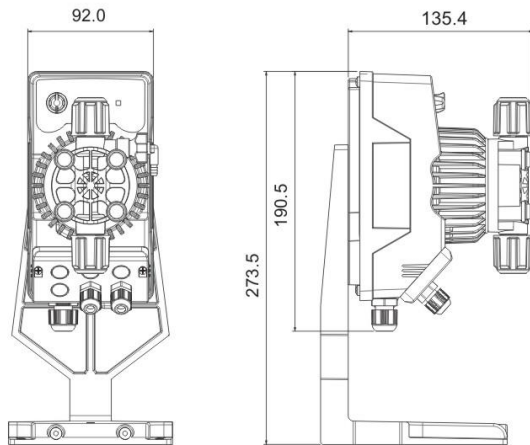
Constant flow rate manually adjustable by control dial on the front panel, Power-ON led indicator.

Features

Enclosure	Materials:	PP
	Protection degree:	IP65
Pump Head materials	Pump Body:	PVDF (with manual priming valve)
	Valves:	PVDF
	Balls:	Ceramic
	Diaphragm:	PTFE (the diaphragm has been tested over a period of 5 years)
Power Supply	AMS:	100-240 Vac 50/60 Hz Consumption 12W
Flow rate manual adjustment		0-100%
Wall mounting		With fixing bracket



Dimensional drawings



Installation kit



Injection valve



Foot filter



Fixing bracket (wall-mounting)



Dis charge tube
(PE, Φ4×Φ6)



Suction tube
(PVC, Φ4×Φ6)

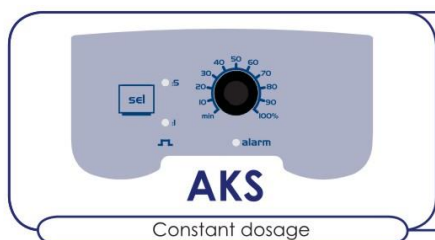


Fixing bracket (tank-mounting)

Solenoid dosing pump 803 series

803 is simple yet reliable series of micro-process or based analogue solenoid dosing pump

Specifications(803 model)			
Pressure(bar)	4	2	1
Flow rate(L/H)	25	40	54
CC/stroke	1.39	2.22	3.00
Connection(mm)	8/12		
Stroke/min	300		



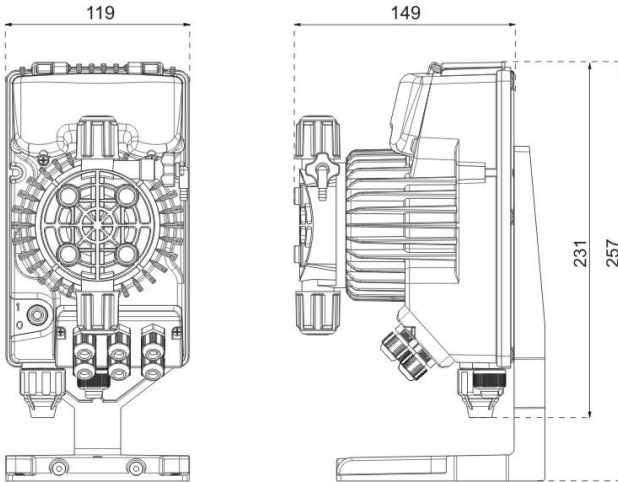
Analogue dosing pump with constant flow rate manually adjustable by control dial on the front panel, two frequency range (0÷20% or 0÷100%), Power-ON led indicator. NO Level control input and fixing bracket.

Features

Enclosure	Materials:	PP
	Protection degree:	IP65
Pump Head materials	Pump Body:	PVDF (with manual priming valve)
	Valves:	PVDF
	Balls:	Ceramic
	Diaphragm:	PTFE (the diaphragm has been tested over a period of 5 years)
Power Supply	AKS:	100-240Vac 50/60Hz Consumption 40 W
Flow rate manual adjustment		0-100%
Wall mounting		With fixing bracket



Dimensional drawings



Installation kit



Injection valve



Foot filter



Fixing bracket (wall-mounting)



Dis charge tube
(PE, $\Phi 8 \times \Phi 12$)



Suction tube
(PVC, $\Phi 8 \times \Phi 12$)



Fixing bracket (tank-mounting)